



General delivery specification of Fissler GmbH

Version 1.2

Effective from 2020-Jan-01th

The following pages contain all of the information you need to make deliveries to Fissler. You will get an overview of the general requirements, extensive information and instructions regarding orders, preparation, shipping and delivery of your products to Fissler's warehouses. These requirements must be strictly adhered to in order for your products to be passed through our supply chains (production, shipping) to our customers efficiently. Specific information as well as individual agreements concerning orders will be described in more detail in the corresponding delivery specifications.

Please note that failing to adhere to the requirements described in this manual can cause Fissler to refuse deliveries, to send back items at the expense of the supplier and/or to charge fees^{#1}. (see item 10)

Contents

1 General information / overview	3
2 Validity	3
3 Notification of delivery / goods receipt	3
4 Shipping documents	4
5 Exceptions / individual agreements	4
6 General delivery specification	4
6.1 Pallet condition EURO pallet / EN 13698-1	5
6.2 Pallet condition mesh box pallet / EN 13698-1	6
6.3 Delivery in containers	7
7 Delivery specifications for the Neubrücke plant materials store SAP WERK 0102	7
7.1 Delivery of raw materials / packaging	8
7.2 Delivery of auxiliary materials and consumables	10
7.3 Delivery of hazardous materials	10
7.4 Delivery in containers	10
8 Delivery specifications for pre-fabrication Neubrücke plant, SAP WERK 0102	11
9 Delivery specifications for storage and shipping center SAP WERK 0103	12
9.1 Delivery of goods / shipments from Germany / EU	12
9.2 Delivery of goods / shipments from third countries - Imports	14
10 Non-compliance with delivery specification / compensation payments	15

1 General information / overview

Although not every part of this document is relevant for deliveries, it is vital that all suppliers familiarize themselves with our ordering process and our product, packaging and delivery requirements to allow us to accept their products as efficiently as possible. We have largely unified our processes and requirements; however, in some cases country-specific or supplier-specific criteria and individual agreements may apply. Please comply with such criteria and agreements and proceed accordingly.

Fissler shall reserve the right to change the delivery specification at any time. Suppliers will be informed in writing of any changes. This information will be provided by means of an e-mail from the purchasing department. Any changes will come into effect on a specific date. Changes and their effective date will be named in the document. Unless specified otherwise below, changes will apply to all countries.

2 Validity

The delivery specification applies to all deliveries starting on 2020-Jan-01th.

3 Notification of delivery / goods receipt

Piece goods shipments with a volume of more than 5 pallets or direct deliveries must be communicated via e-mail. The notification will be followed by a response containing a date of delivery. Please always forward the notification to the appropriate contact person*.

*(*Contact: materials store delivery location – see item 7; pre-fabrication delivery location – see item 8; storage and shipping center delivery location – see item 9)*

After the notification, you or the carrier will receive a written e-mail confirmation and a delivery reference. Should the preferred date not be feasible, an alternative date will be suggested to you.

4 Shipping documents

The following documents must be enclosed with every delivery:

- Delivery note (attached to the outside of the first or last package, clearly visible) with batch number (Production date week/year) and quantities
- Packing list / loading list starting from 2 packages
- Optional: CMR / EU shipment

For goods/shipments from third countries (imports), the following documents must also be enclosed:

- Customs documents (T1)
- Certificates (ISPM 15 certificate)

5 Exceptions / individual agreements

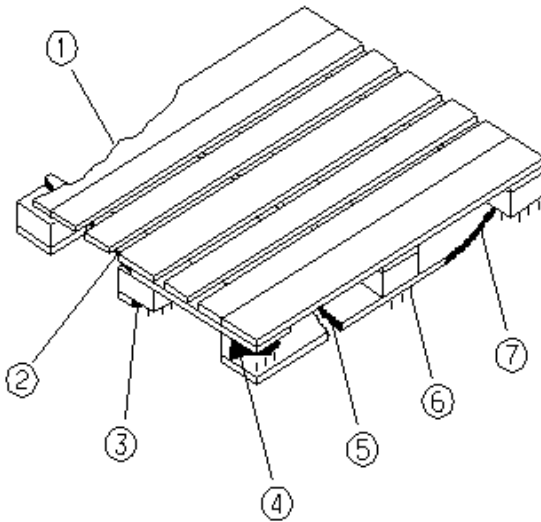
Exceptions to this rule are only permitted with the prior consent and release by the purchaser responsible at Fissler GmbH (individual agreements).

6 General delivery specification

- EURO flat pallets, World pallets and EURO mesh box pallets may be used as load carriers.
- The delivery of goods on pallets is permissible only in accordance with European standard EN 13698-1. If the pallets are of lesser quality, there will be no exchange!
- The deliveries must take place in accordance with EUMOS standard 40509 (general standard for load safety). Preferably, the following measures to secure loading units should be applied:
 - Strapping with plastic straps (2x lengthwise + 2x across)
 - Exterior Euro-format cardboard box
 - Wrapping with stretch foil
 - Edge protectors
 - Intermediate layer (for better stackability)
- Delivery must take place without any damage to materials or packaging.
- Deliveries in cardboard boxes must occur according to FEFCO 0201 and must correspond to 2.3 BC / 2-wave quality.

6.1 Pallet condition EURO pallet / EN 13698-1

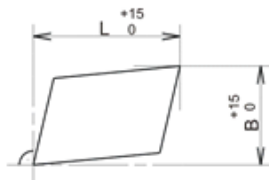
Required pallet quality / class → B



1 Unacceptable Damages

The pallet is not suitable

1. If one of the outer deckboards is missing or broken at the corners.
2. If one of the outer stringers is missing or broken at the corners.
3. If the middle board (lower side) is missing or broken at the corners
4. If a bearer is missing or broken.
5. If a lower board is missing or broken crosswise.
6. If nails stick out more than 2 mm on the lower side.
7. If a longitudinal board (lower side) is missing or broken at the corners,
 - if bearers jut out in the free entry (see dimensions a, b, c and d),
 - if the load capacity cannot be ensured,
 - if the lower boards are soaked.

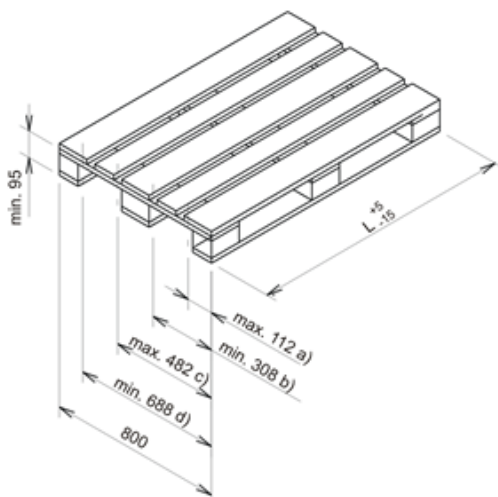


2 Square Tolerances

(see picture on the left)

3 Deflection Tolerances

- Max. deflection with nominal load with a support distance of 1 000 mm:
max. 10 mm
- Concave/convex tolerance with empty pallet:
max. 5 mm
- Minimal free height between support beam and pallet cross bar when pallet is loaded (1000 kg) and with a support distance of 1000 mm:
min. 85 mm
- a, b, c, d = free entry on overall length (profile gauge)



4 EN 13698-1

The indicated values are valid for following dimensions:

L = 1200 mm

B = 800 mm

6.2 Pallet condition mesh box pallet / EN 13698-1



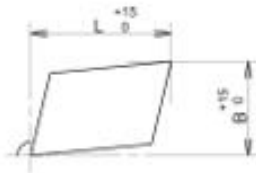
1 Inadmissible damage

The WIRE MESH BOXE is not usable if:

1. The collar or the corner pillars are significant deformed.
2. The front flaps are immobilized or deformed in such manner that they can no longer be closed.
3. Floor frames or feet are bent in such manner that the Euro-box no longer sits equally on four feet, or no longer is safely stackable.
4. Grid is torn in such manner the wire ends protrude inwards or outwards (one missing strand per side allowable).
5. One board is broken or missing.
6. Essential markings are missing or illegible.
7. General status impaired by rust and soiling in such manner that goods no longer can be loaded or might become soiled.

2 squareness

(see picture on the left)



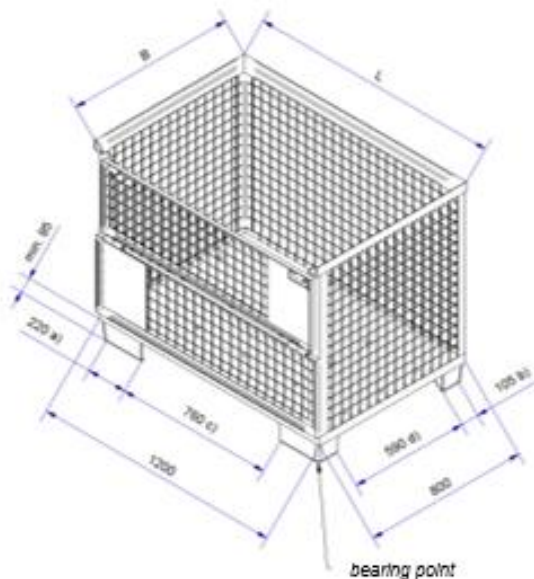
3 deflection

- Maximum deflection under nominal load (with flexible goods) with bearing distance of 1000 mm: max. 10 mm
- Concave-/ Convex - difference (empty Box): max. 5 mm
- Minimal clear height of floor panel over bearing points under nominal load (1000 kg) bearing distance of 1000 mm: min. 85 mm
- a, b = feet bearing length
bearing point of one feet $A \sim 12534\text{mm}^2$
- c, d = clear space
based on $L = 1200\text{mm}$
and $B = 800\text{mm}$

4 EN 13698-1

The specified values are valid for:

Length (L) = 1240mm
Width (B) = 835mm



6.3 Delivery in containers

- Delivery in containers is permissible only in the case of transport by ship.
- The usage of pallets in the case of container shipment is defined in the individual agreement.

7 Delivery specifications for the Neubrücke plant materials store SAP WERK 0102

Opening hours: 07:00-09:30; 09:45-11:45; 12:45-14:45

Please always forward the notification to the following contact person:

Contact: Mr. Enright (eric.enright@fissler.de)
Mr. Eifler (oliver.eifler@fissler.de)

7.1 Delivery of raw materials / packaging

General standards

Applicability	<ul style="list-style-type: none"> Type of material: raw materials, packaging materials Department: materials store Neubrücke plant (0102)
Load carriers	<ul style="list-style-type: none"> Euro format (1200x800x144 mm) Preferably Euro flat pallets <u>No</u> mesh box pallets; <u>no</u> flat pallets other than Euro format Compliance with quality standards according to EN 13698-1 (see item 6.1)
Loading format	<ul style="list-style-type: none"> Max. height: 1,000 mm per pallet (<i>incl. pallet</i>) Max. weight: 1,000 kg per pallet (<i>incl. pallet</i>)
Filling load carriers	<ul style="list-style-type: none"> If possible, do not mix products in carrier Special instruction for mixed pallets: Items with the smaller number of packages on top
Securing of loading units	<ul style="list-style-type: none"> Compliance with EUMOS standard 40509 (see item 6) Preferred: <ul style="list-style-type: none"> Strapping with plastic straps (2x lengthwise + 2x across)
Carton format	<p><i>(Only applies to items that are delivered packaged inside several cardboard boxes)</i></p> <ul style="list-style-type: none"> Max. gross weight: 15 kg per box Compliance with the established standard sizes & quantities! (<i>see following page</i>)
Labeling	<p>Required information on <u>every exterior box</u>:</p> <ul style="list-style-type: none"> Fissler material number* Material description Delivery note number Weight Quantity Unit of quantity Supplier for traceability Fissler order number* <p><i>*should be additionally specified on one bar code per packing unit (Code-128 or Code-39)</i></p> <p>Required information on <u>every pallet / every package</u>:</p> <ul style="list-style-type: none"> Pallet barcode with Fissler order number, material number, the quantity on the pallet and the total quantity of the order Mixed pallets: Clear labeling and packing list (with the aforementioned information for each item) In the case of mixed pallets, one label for each material number is to be attached to the pallet for identification
Exceptions	<ul style="list-style-type: none"> Exceptions shall be agreed upon within the scope of an individual agreement and/or based on the delivery specification

Standard sizes for cardboard boxes

Base: 60x40

No.	Package size (in cm)
K01	60x40x28
K02	60x40x21
K03	60x40x17

Base: 40x40

No.	Package size (in cm)
K04	40x40x42
K05	40x40x28
K06	40x40x21
K07	40x40x17
K08	40x40x14

Base: 40x30

No.	Package size (in cm)
K09	40x30x28
K10	40x30x21
K11	40x30x17
K12	40x30x14
K13	40x30x12

Base: 40x20

No.	Package size (in cm)
K14	40x20x21
K15	40x20x17
K16	40x20x14

Base: 30x20

No.	Package size (in cm)
K17	30x20x21
K18	30x20x17
K19	30x20x14
K20	30x20x12
K21	30x20x10

Base: 20x20

No.	Package size (in cm)
K22	20x20x21
K23	20x20x17
K24	20x20x14
K25	20x20x12
K26	20x20x10

Note: For reasons of production logistics, standard cartons **K01K04, K05** and **K09** do not apply to **plastic fittings (handles)**.

For **packaging materials (cartons etc.)** the following additional special sizes are permitted:

a) Packaged in only one Euro-format carton

Name	Package size (in cm)
EP	120x80x85

b) Packaged in several cartons

Base: 80x60

No.	Package size (in cm)
S01	60x80x42
S02	60x80x28
S03	60x80x21
S04	60x80x17

Base: 80x40

No.	Package size (in cm)
S05	40x80x42
S06	40x80x28
S07	40x80x21
S08	40x80x17

Base: 80x30

No.	Package size (in cm)
S09	30x80x28
S10	30x80x21
S11	30x80x17

Base: 60x40

No.	Package size (in cm)
S12	60x40x42

Standard carton filling

The filling of cartons shall be agreed upon within the scope of an individual agreement and/or based on the delivery specification.

General delivery specification of Fissler GmbH

7.2 Delivery of auxiliary materials and consumables

- | | |
|----------------------|--|
| Applicability | <ul style="list-style-type: none">• Type of material: auxiliary materials and consumables• Department: materials store Neubrücke plant (0102) |
|----------------------|--|

Due to the great diversity of packaging and delivery types, the delivery of **auxiliary materials and consumables** will be laid down in an individual agreement and/or based on the delivery specification.

Delivery in the storable Euro format and labeling according to item 7.1 is preferred.

7.3 Delivery of hazardous materials

- | | |
|----------------------|--|
| Applicability | <ul style="list-style-type: none">• Type of material: hazardous materials• Department: materials store Neubrücke plant (0102) |
|----------------------|--|

The delivery of **hazardous materials** must occur according to the guidelines of the applicable Ordinance on Hazardous Substances and the established individual agreement and/or the delivery specification.

Delivery in the storable Euro format and labeling according to item 7.1 is preferred.

7.4 Delivery in containers

- | | |
|----------------------|--|
| Applicability | <ul style="list-style-type: none">• Type of material: import articles (see 6.3)• Department: materials store Neubrücke plant (0102) |
|----------------------|--|

The delivery of **import articles** must occur according to the guidelines of the established individual agreement and/or the delivery specification.

8 Delivery specifications for pre-fabrication Neubrücke plant, SAP WERK 0102

Opening hours: 07:00-09:30; 09:45-11:45; 12:45-14:45

Please always forward the notification to the following contact person:

Contact: Mr. Enright (eric.enright@fissler.de)
Mr. Eifler (oliver.eifler@fissler.de)

Applicability

- Type of material: raw materials
- Specifically: Coils
- Department: pre-fabrication Neubrücke plant (0102)

Delivery to the **pre-fabrication** department shall occur according to the fixed individual agreement and/or based on the defined delivery specification.

9 Delivery specifications for storage and shipping center SAP WERK 0103

Opening hours: 07:00-09:30; 09:45-11:45; 12:45-14:30

Please always forward the notification to the following contact person:

Contact: Mr. Zimmer (frank.zimmer@fissler.de)
 Ms. Rolland (annabell.rolland@fissler.de)
 Mr. Buss (Jochen.Buss@fissler.de)
 Mr. Müller (Marcel.Mueller@fissler.de)
 Mr. Jung (carsten.jung@fissler.de)

9.1 Delivery of goods / shipments from Germany / EU

- ➔ Storage of goods in the storage and shipping center plant 0103 takes place in a fully automated high-rack storage area. Within the context of the technical requirements for efficiently storing goods, special care must be applied to prevent malfunctions and outages. The goods delivered are checked before being stored and must be repackaged in the case of deviations.

General standards

Applicability	<ul style="list-style-type: none"> Type of material: Raw materials, packaging, auxiliary materials and consumables, merchandise
Load carriers	<ul style="list-style-type: none"> Euro flat pallets World pallets Mesh box pallets
Loading format	<ul style="list-style-type: none"> Max. height: 1,900 mm per pallet (<i>incl. pallet</i>) Max. weight EURO pallet: 300 kg per pallet Max. weight WORLD pallet: 300 kg per pallet Max. weight mesh box pallet: 1,000 kg per pallet
Filling load carriers	<ul style="list-style-type: none"> If possible, only one type of products Special instruction for mixed pallets: Items with the smaller number of packages on top
Securing of loading units	<ul style="list-style-type: none"> Compliance with EUMOS standard 40509 (see item 6) Obligatory: <ul style="list-style-type: none"> Strapping with plastic straps (2x lengthwise + 2x across)
Carton format	<p><i>(Only applies to items that are delivered packaged inside several cardboard boxes)</i></p> <ul style="list-style-type: none"> Max. gross weight: 15 kg per box FEFCO 0201, 2.3 BC / 2-wave quality (see item 6) Whenever possible, standard storage cartons are to be used <ul style="list-style-type: none"> 600X300x400 mm 400X300x400 mm 400X300x200 mm
Labeling	Required information on <u>every exterior box / package</u> :

General delivery specification of Fissler GmbH

-
- Fissler material number
 - Material description
 - EAN / GTIN*
 - Quantity
 - Unit of quantity
 - Delivery note number
 - Weight
 - Supplier
 - Production date (week/year) or batch number
 - Fissler order number

**should be additionally specified on one bar code per packing unit (Code-128 or Code-39)*

Required information on every pallet / package:

- Pallet barcode with Fissler order number, material number, the quantity on the pallet and the total quantity of the order
- Mixed pallets: Clear labeling and packing list (with the aforementioned information for each item)
- In the case of mixed pallets, one label for each material number is to be attached to the pallet for identification

Exceptions

- Exceptions shall be agreed upon within the scope of an individual agreement and/or based on the delivery specification

9.2 Delivery of goods / shipments from third countries - Imports

General standards

Applicability	<ul style="list-style-type: none"> • Merchandise, prototypes
Load carriers	<ul style="list-style-type: none"> • Euro measurements for disposable pallets 1,200x800 mm • Euro measurements for disposable pallets 1,140x890 mm • Shipping / exterior cartons
Loading format	<ul style="list-style-type: none"> • Max. height: 1,150 mm per pallet (<i>incl. pallet</i>) <ul style="list-style-type: none"> ○ Stackability must be ensured! • Max. weight disposable pallet: 500 kg per pallet • Max. weight shipping/exterior cartons: 20 kg
Filling load carriers	<ul style="list-style-type: none"> • If possible, only one type of products • Special instruction for mixed pallets: Items with the smaller number of packages on top
Securing of loading units	<ul style="list-style-type: none"> • Compliance with EUMOS standard 40509 (see item 6) • Obligatory when shipping pallets: <ul style="list-style-type: none"> ○ Strapping with plastic straps (2x lengthwise or 2x across)
Carton format	<p><i>(Only applies to items that are delivered packaged inside several cardboard boxes)</i></p> <ul style="list-style-type: none"> • Max. gross weight: 20 kg per box • FEFCO 0201, 2.3 BC / 2-wave quality (see item 6)
Labeling	<p>Required information on <u>every exterior box / package</u>:</p> <ul style="list-style-type: none"> • Fissler material number • Material description • EAN / GTIN* • Quantity • Unit of quantity • Supplier • Production date (week/year) or batch number • Fissler order number <p><i>*should be additionally specified on one bar code per packing unit (Code-128 or Code-39)</i></p> <p>Required information on <u>every pallet / package</u>:</p> <ul style="list-style-type: none"> • Pallet barcode with Fissler order number, the quantity on the pallet and the total quantity of the order • Mixed pallets: Clear labeling and packing list (with the aforementioned information for each item)
Exceptions	<ul style="list-style-type: none"> • Exceptions shall be agreed upon within the scope of an individual agreement and/or based on the delivery specification

10 Non-compliance with delivery specification / compensation payments

All deliveries must comply with the delivery specifications or with the individual agreement (delivery specification). Should Fissler find discrepancies during the goods receipt process, those discrepancies will be reported immediately.

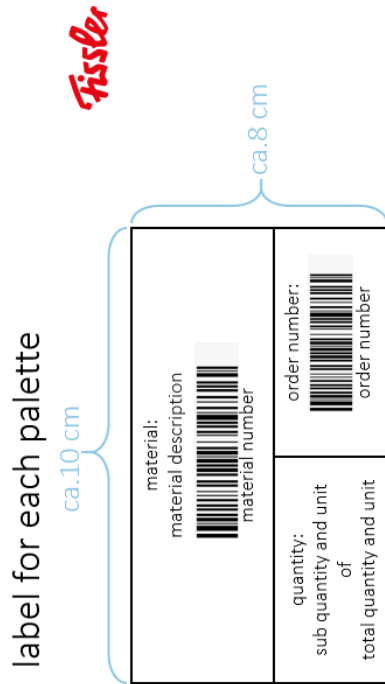
Should further discrepancies be found during subsequent goods receipts, this can incur a compensation payment:

- Pallets do not comply with the requirements described (weight, quality class B EN 13698-1, securing of loading units)
 - o Action = repackaging
 - o No = no exchange of EURO pallets (piece by piece) or no credit entry on the pallet account
 1. € 40 per pallet
 2. € 40 compensation for expenses per goods receipt / delivery

- Non-conformity with the specified format and weight per carton
 1. € 5 per shipping / exterior carton
 2. € 40 compensation for expenses per goods receipt / delivery

- Missing labeling
 - o Action = retrospective labeling
 1. € 0.4 per label
 2. € 40 compensation for expenses per goods receipt / delivery

Annex - labeling for packages and charge carrier




example labelled pallette

material: Seitengriff 16 cm  ABC-DEF-GH-IJK/L	order number:  12345678
quantity: 2000 Stück of 8000 Stück	 order number: 12345678



example labelled packing unit

material: Seitengriff 16 cm  ABC-DEF-GH-IJK/L	order number:  12345678	Muster Grifflieferant
quantity: 50 Stück	weight: 14 kg	date of manufacture: 03/19
		number of delivery: 123123123